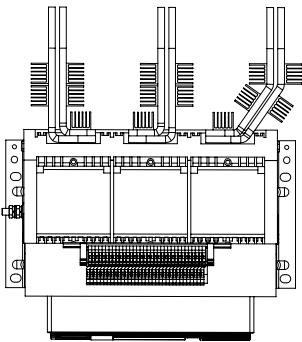
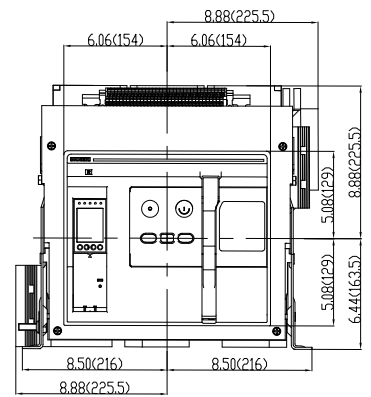
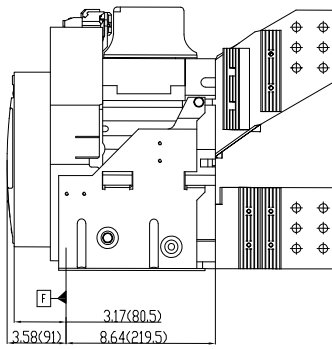
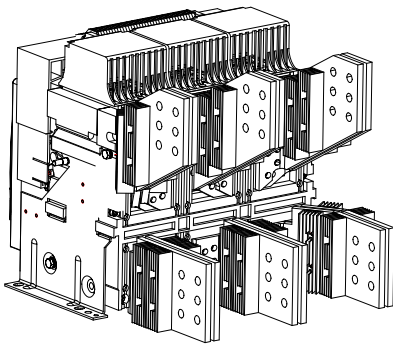


Fixed type

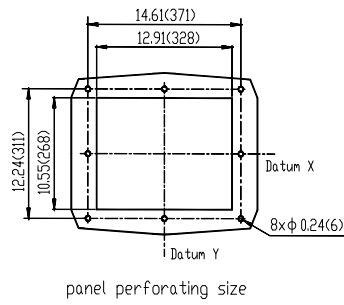
A40-4000A 3P

Vertical installation

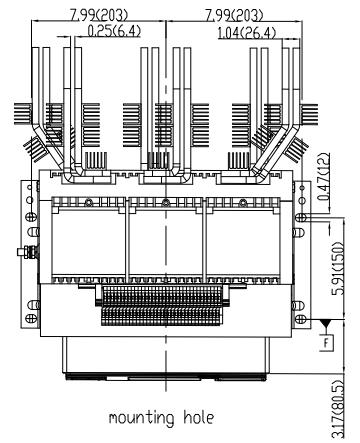
in/mm



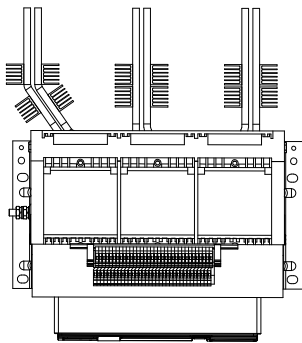
upper busbar



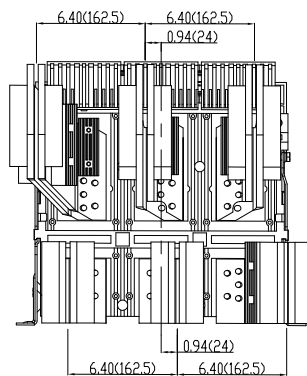
panel perforating size



mounting hole



lower busbar



Max overlap 3.27(83)

